

DC BRUSHLESS FAN

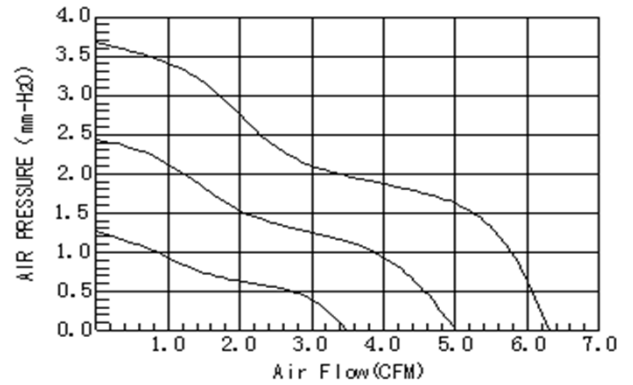
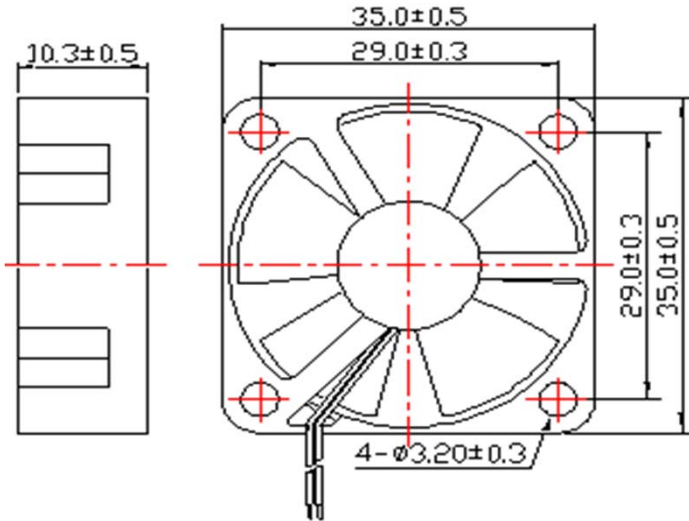
CC-3510 SERIES

FEATURES



SIZE:	35x35x10 mm
BEARING TYPE:	SLEEVE & CeraDyna BEARING
IMPELLER:	PLASTIC WITH FIBER GLASS FILLED UL 94V-0
FRAME:	PLASTIC WITH FIBER GLASS FILLED UL 94V-0
WEIGHT:	14(g)

PERFORMANCE & DIMENSIONS



Model No.	Bearing	Rated Voltage (VDC)	Air Flow (CFM)	Current (A)	Input Power (Watts)	Speed (RPM)	Noise Level (dBA)	Dimensions
								LxWxH (mm)
CC 3510B05H	2Ball	5	6.30	0.23	1.15	9000	32.37	35x35x10
CC 3510S05H	Sleeve	5	6.30	0.23	1.15	9000	32.37	
CC 3510B12H	2Ball	12	6.30	0.14	1.68	9000	32.37	
CC 3510S12H	Sleeve	12	6.30	0.14	1.68	9000	32.37	
CC 3510B05M	2Ball	5	5.06	0.22	1.10	7000	25.88	
CC 3510S05M	Sleeve	5	5.06	0.22	1.10	7000	25.88	
CC 3510B12M	2Ball	12	5.06	0.11	1.32	7000	25.88	
CC 3510S12M	Sleeve	12	5.06	0.11	1.32	7000	25.88	
CC 3510B05L	2Ball	5	3.51	0.13	0.65	5000	20.26	
CC 3510S05L	Sleeve	5	3.51	0.13	0.65	5000	20.26	
CC 3510B12L	2Ball	12	3.51	0.08	0.96	5000	20.26	
CC 3510S12L	Sleeve	12	3.51	0.08	0.96	5000	20.26	