

EC FAN

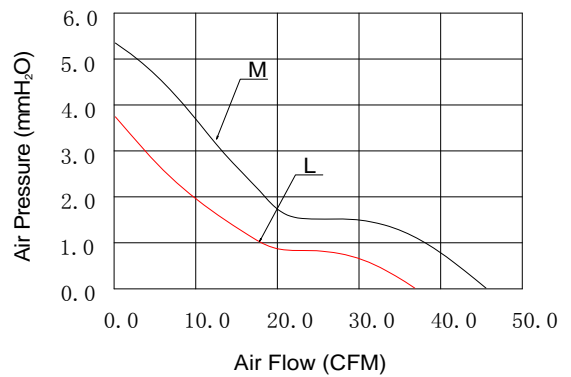
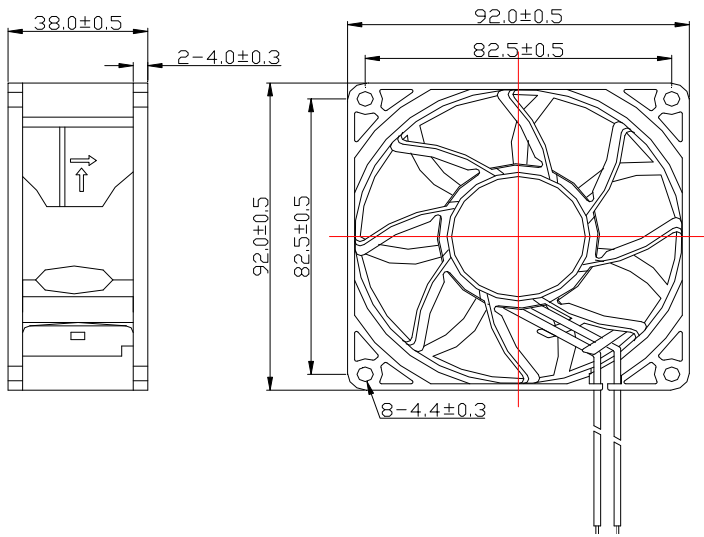


CCE-9238 SERIES

FEATURES

SIZE:	92x92x38 mm
BEARING TYPE:	2 BALL BEARING
IMPELLER:	PLASTIC WITH FIBER GLASS FILLED UL 94V-0
FRAME:	PLASTIC WITH FIBER GLASS FILLED UL 94V-0
WEIGHT:	300(g)

PERFORMANCE & DIMENSIONS



Model No.	Bearing	Rated Voltage (VAC)	Freq (Hz)	Static Pressure (mmH2O)	Input Power (Watts)	Speed (RPM)	Air Flow (CFM)	Noise Level (dBA)
CCE 9238BM	2 BALL	80-264	50/60	5.4	4	3000	45.2	36
CCE 9238BL	2 BALL	80-264	50/60	3.7	3.5	2500	37.3	30