

# EC FAN

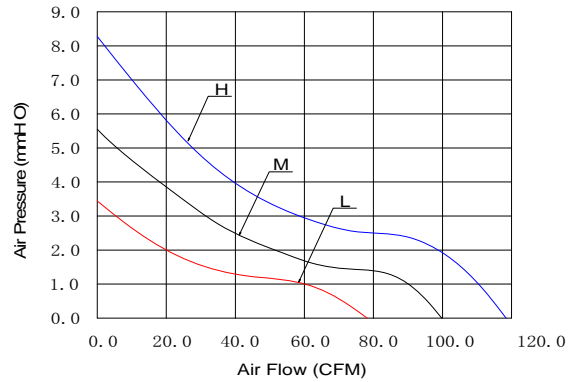
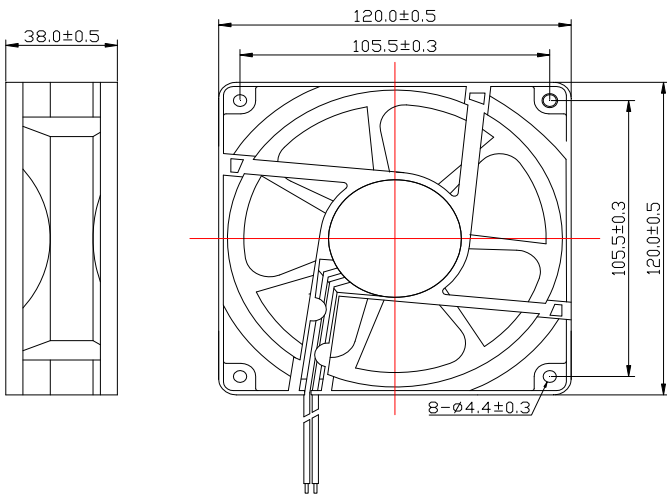
## CCE-12038 SERIES

### FEATURES

SIZE:	120×120×38 mm
BEARING TYPE:	2 BALL BEARING & SLEEVE BEARING
IMPELLER:	PLASTIC WITH FIBER GLASS FILLED UL 94V-0
FRAME:	PLASTIC WITH FIBER GLASS FILLED UL 94V-0
WEIGHT:	270(g)



### PERFORMANCE & DIMENSIONS



Model No.	Bearing	Rated Voltage (VAC)	Freq (Hz)	Static Pressure (mmH <sub>2</sub> O)	Input Power (Watts)	Speed (RPM)	Air Flow (CFM)	Noise Level (dBA)
CCE 12038BH	2 BALL	80-264	50/60	8	6	3000	116.3	45
CCE 12038BM	2 BALL	80-264	50/60	5.6	5.5	2500	99.2	40
CCE 12038BL	2 BALL	80-264	50/60	3.3	5	2000	77.4	34
CCE 12038SH	SLEEVE	80-264	50/60	8	6	3000	116.3	45
CCE 12038SM	SLEEVE	80-264	50/60	5.6	5.5	2500	99.2	40
CCE 12038SL	SLEEVE	80-264	50/60	3.3	5	2000	77.4	34