

DC BRUSHLESS FAN

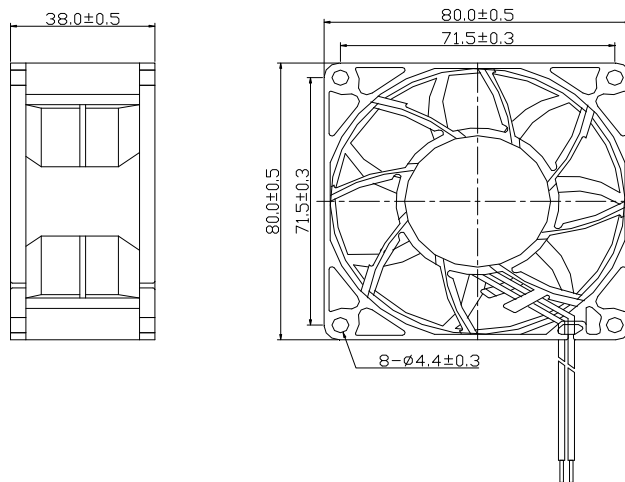


CC-8038 SERIES

FEATURES

SIZE:	80×80×38 mm
BEARING TYPE:	BALL , SLEEVE & ONE BALL & ONE SLEEVE BEARING
IMPELLER:	PLASTIC WITH FIBER GLASS FILLED UL 94V-0
FRAME:	PLASTIC WITH FIBER GLASS FILLED UL 94V-0
WEIGHT:	85(g)

PERFORMANCE & DIMENSIONS



Model No.	Bearing	Rated Voltage (VDC)	Air Flow (CFM)	Current (A)	Input Power (Watts)	Speed (RPM)	Noise Level (dBA)	Dimensions	
								LxWxH (mm)	
CC 8038S12HH	Sleeve	12	78.53	0.76	12.00	5000	54.7	80×80×38	
CC 8038B12HH	2Ball	12	78.53	0.76	12.00	5000	54.7		
CC 8038S24HH	Sleeve	24	78.53	0.45	14.40	5000	54.7		
CC 8038B24HH	2Ball	24	78.53	0.45	14.40	5000	54.7		
CC 8038S12H	Sleeve	12	67.04	0.43	7.20	4200	49.5		
CC 8038B12H	2Ball	12	67.04	0.43	7.20	4200	49.5		
CC 8038S24H	Sleeve	24	67.04	0.25	10.80	4200	49.5		
CC 8038B24H	2Ball	24	67.04	0.25	10.80	4200	49.5		
CC 8038S12M	Sleeve	12	52.24	0.26	4.20	3400	43.4		
CC 8038B12M	2Ball	12	52.24	0.26	4.20	3400	43.4		
CC 8038S24M	Sleeve	24	52.24	0.12	6.00	3400	43.4		
CC 8038B24M	2Ball	24	52.24	0.12	6.00	3400	43.4		
CC 8038S12L	Sleeve	12	41.52	0.16	2.40	2600	37.6		
CC 8038B12L	2Ball	12	41.52	0.16	2.40	2600	37.6		
CC 8038S24L	Sleeve	24	41.52	0.07	3.60	2600	37.6		
CC 8038B24L	2Ball	24	41.52	0.07	3.60	2600	37.6		