

# AC AXIAL FAN

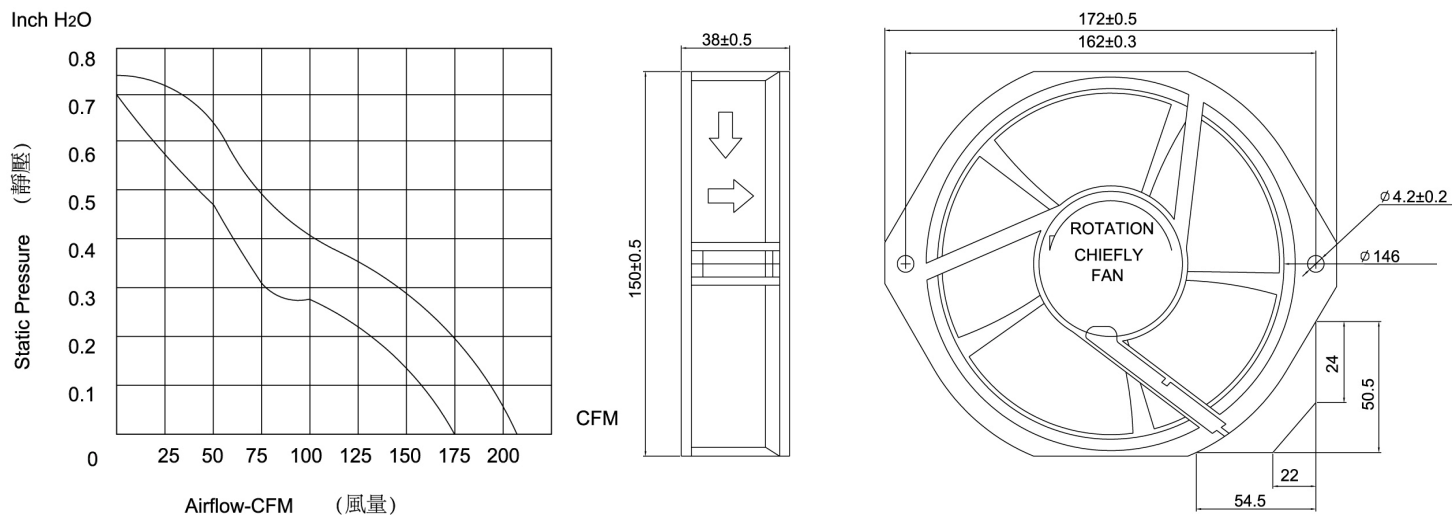
## CC17238 SERIES

### FEATURES



SIZE:	172×150×38 mm
BEARING TYPE:	BALL BEARING
IMPELLER:	PLASTIC WITH FIBER GLASS FILLED UL 94V-0
FRAME:	DIE CAST ALUMINUM
WEIGHT:	720(g)

### PERFORMANCE & DIMENSIONS



Model No.	Bearing	Rated Voltage (VAC)	Freq (Hz)	Current (A)	Input Power (Watts)	Speed (RPM)	Air Flow (CFM)	Noise Level (dBA)
CC 17238B110H	Ball	110/120	50/60	0.40/0.38	30/28	2700/2900	205/230	54/58
CC 17238B220H	Ball	220/240	50/60	0.28/0.23	38/35	2700/2900	205/230	54/58