

AC AXIAL FAN

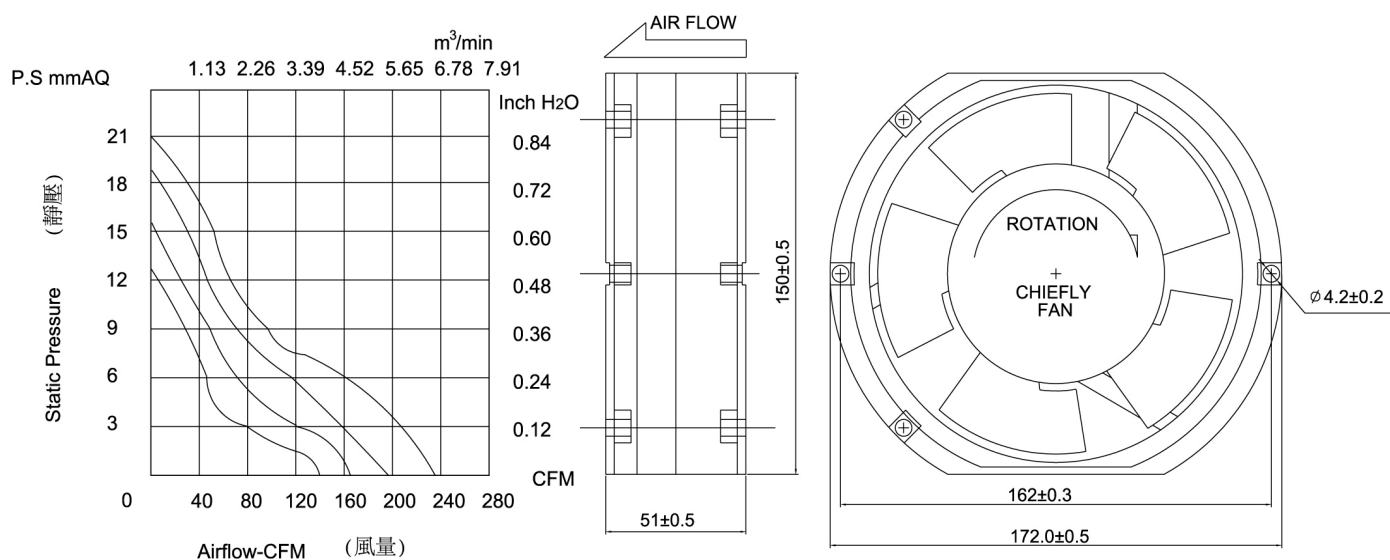


CC17251 SERIES

FEATURES

SIZE:	172×150×51 mm
BEARING TYPE:	BALL BEARING & SLEEVE BEARING
IMPELLER:	PLASTIC WITH FIBER GLASS FILLED UL 94V-0
FRAME:	DIE CAST ALUMINUM
WEIGHT:	950(g)

PERFORMANCE & DIMENSIONS



Model No.	Bearing	Rated Voltage (VAC)	Freq (Hz)	Current (A)	Input Power (Watts)	Speed (RPM)	Air Flow (CFM)	Noise Level (dBA)
CC 17251S110H	Sleeve	110/120	50/60	0.54/0.44	40	3000	200/220	50/55
CC 17251B110H	Ball	110/120	50/60	0.54/0.44	40	3000	200/220	50/55
CC 17251S220H	Sleeve	220/240	50/60	0.30/0.23	40	3000	200/220	50/55
CC 17251B220H	Ball	220/240	50/60	0.30/0.23	40	3000	200/220	50/55
CC 17251S110M	Sleeve	110/120	50/60	0.50/0.40	31	2600	175/195	40/45
CC 17251B110M	Ball	110/120	50/60	0.50/0.40	31	2600	175/195	40/45
CC 17251S220M	Sleeve	220/240	50/60	0.26/0.21	31	2600	175/195	40/45
CC 17251B220M	Ball	220/240	50/60	0.26/0.21	31	2600	175/195	40/45
CC 17251S110L	Sleeve	110/120	50/60	0.40/0.31	24	2200	155/175	33/38
CC 17251B110L	Ball	110/120	50/60	0.40/0.31	24	2200	155/175	33/38
CC 17251S220L	Sleeve	220/240	50/60	0.19/0.17	24	2200	155/175	33/38
CC 17251B220L	Ball	220/240	50/60	0.19/0.17	24	2200	155/175	33/38