

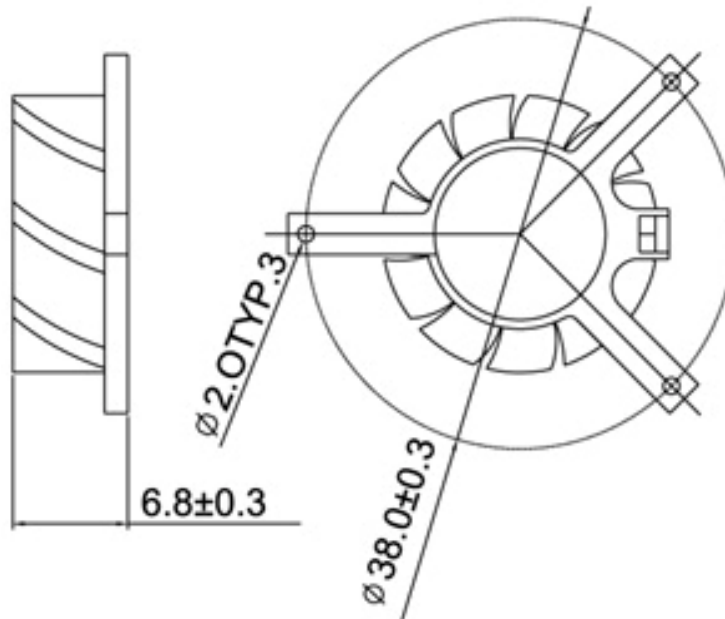
DC MODULE FAN

CCD-3006 SERIES

FEATURES

SIZE:	30x30x06 mm
BEARING TYPE:	BALL & SLEEVE BEARING
IMPELLER:	PLASTIC WITH FIBER GLASS FILLED UL 94V-0
FRAME:	PLASTIC WITH FIBER GLASS FILLED UL 94V-0
WEIGHT:	5(g)

DIMENSIONS



Model No.	Bearing	Rated Voltage (VDC)	Air Flow (CFM)	Current (A)	Input Power (Watts)	Speed (RPM)	Noise Level (dBA)	Dimensions
								LxWxH (mm)
CCD 3006S5H	Sleeve	5	3.09	0.20	1.44	8000	25.44	30x30x06
CCD 3006B5H	Ball	5	3.09	0.20	1.44	8000	25.44	
CCD 3006S12H	Sleeve	12	3.09	0.12	1.44	8000	25.44	
CCD 3006B12H	Ball	12	3.09	0.12	1.44	8000	25.44	
CCD 3006S5L	Sleeve	5	2.32	0.12	1.20	6000	20.92	
CCD 3006B5L	Ball	5	2.32	0.12	1.20	6000	20.92	
CCD 3006S12L	Sleeve	12	2.32	0.10	1.20	6000	20.92	
CCD 3006B12L	Ball	12	2.32	0.10	1.20	6000	20.92	