

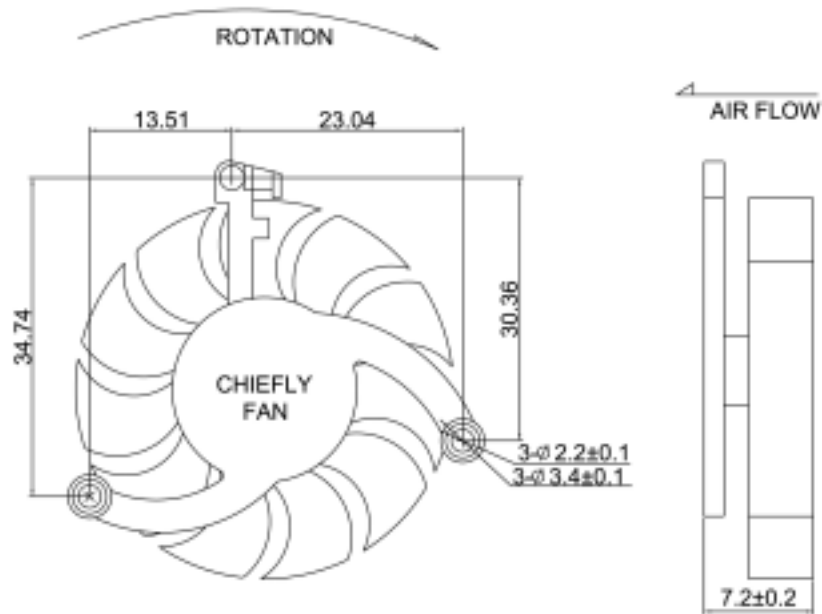
DC MODULE FAN

CCD-4007/1 SERIES

FEATURES

SIZE:	40×40×07 mm
BEARING TYPE:	BALL , SLEEVE & ONE BALL & ONE SLEEVE BEARING
IMPELLER:	PLASTIC WITH FIBER GLASS FILLED UL 94V-0
FRAME:	PLASTIC WITH FIBER GLASS FILLED UL 94V-0
WEIGHT:	7(g)

DIMENSIONS



Model No.	Bearing	Rated Voltage (VDC)	Air Flow (CFM)	Current (A)	Input Power (Watts)	Speed (RPM)	Noise Level (dBA)	Dimensions	
								LxWxH (mm)	
CCD 4007S5H/1	Sleeve	5	6.51	0.25	1.25	7500	33.85	40x40x07	
CCD 4007B5H/1	2Ball	5	6.51	0.25	1.25	7500	33.85		
CCD 4007C5H/1	1B1S	5	6.51	0.25	1.25	7500	33.85		
CCD 4007S12H/1	Sleeve	12	6.51	0.13	1.56	7500	33.85		
CCD 4007B12H/1	2Ball	12	6.51	0.13	1.56	7500	33.85		
CCD 4007C12H/1	1B1S	12	6.51	0.13	1.56	7500	33.85		
CCD 4007S5L/1	Sleeve	5	5.40	0.23	1.15	6500	29.96		
CCD 4007B5L/1	2Ball	5	5.40	0.23	1.15	6500	29.96		
CCD 4007C5L/1	1B1S	5	5.40	0.23	1.15	6500	29.96		
CCD 4007S12L/1	Sleeve	12	5.40	0.11	1.32	6500	29.96		
CCD 4007B12L/1	2Ball	12	5.40	0.11	1.32	6500	29.96		
CCD 4007C12L/1	1B1S	12	5.40	0.11	1.32	6500	29.96		

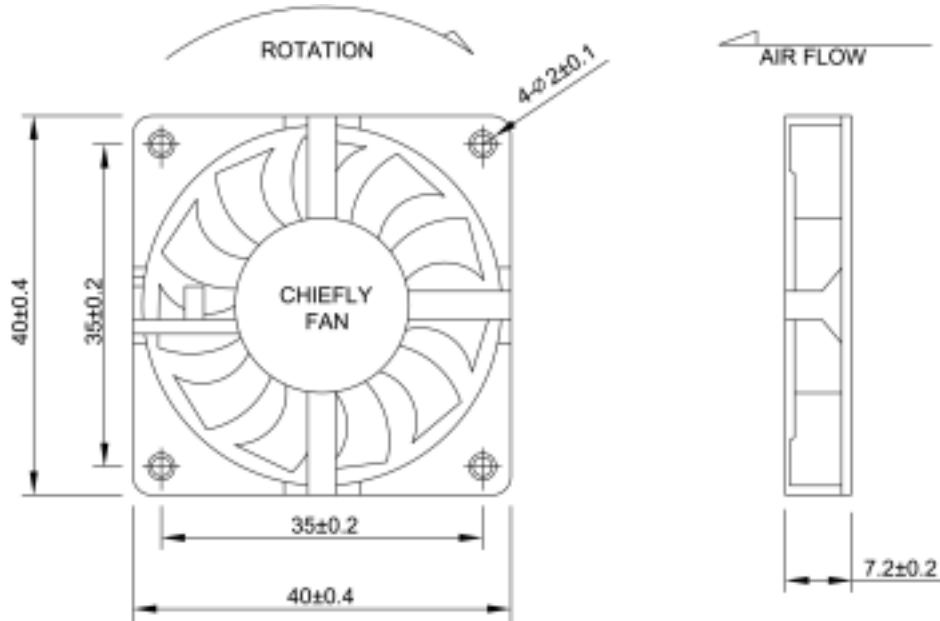
DC MODULE FAN

CCD-4007/2 SERIES

FEATURES

SIZE:	40x40x07 mm
BEARING TYPE:	BALL , SLEEVE & ONE BALL & ONE SLEEVE BEARING
IMPELLER:	PLASTIC WITH FIBER GLASS FILLED UL 94V-0
FRAME:	PLASTIC WITH FIBER GLASS FILLED UL 94V-0
WEIGHT:	7(g)

DIMENSIONS



Model No.	Bearing	Rated Voltage (VDC)	Air Flow (CFM)	Current (A)	Input Power (Watts)	Speed (RPM)	Noise Level (dBA)	Dimensions
								LxWxH (mm)
CCD 4007S5H/2	Sleeve	5	6.37	0.26	1.30	7000	28.80	40x40x07
CCD 4007B5H/2	2Ball	5	6.37	0.26	1.30	7000	28.80	
CCD 4007C5H/2	1B1S	5	6.37	0.26	1.30	7000	28.80	
CCD 4007S12H/2	Sleeve	12	6.37	0.16	1.92	7000	28.80	
CCD 4007B12H/2	2Ball	12	6.37	0.16	1.92	7000	28.80	
CCD 4007C12H/2	1B1S	12	6.37	0.16	1.92	7000	28.80	
CCD 4007S5M/2	Sleeve	5	5.49	0.20	1.00	6000	25.20	
CCD 4007B5M/2	2Ball	5	5.49	0.20	1.00	6000	25.20	
CCD 4007C5M/2	1B1S	5	5.49	0.20	1.00	6000	25.20	
CCD 4007S12M/2	Sleeve	12	5.49	0.12	1.44	6000	25.20	
CCD 4007B12M/2	2Ball	12	5.49	0.12	1.44	6000	25.20	
CCD 4007C12M/2	1B1S	12	5.49	0.12	1.44	6000	25.20	
CCD 4007S5L/2	Sleeve	5	4.56	0.14	0.70	5000	20.70	
CCD 4007B5L/2	2Ball	5	4.56	0.14	0.70	5000	20.70	
CCD 4007C5L/2	1B1S	5	4.56	0.14	0.70	5000	20.70	
CCD 4007S12L/2	Sleeve	12	4.56	0.08	0.96	5000	20.70	
CCD 4007B12L/2	2Ball	12	4.56	0.08	0.96	5000	20.70	
CCD 4007C12L/2	1B1S	12	4.56	0.08	0.96	5000	20.70	

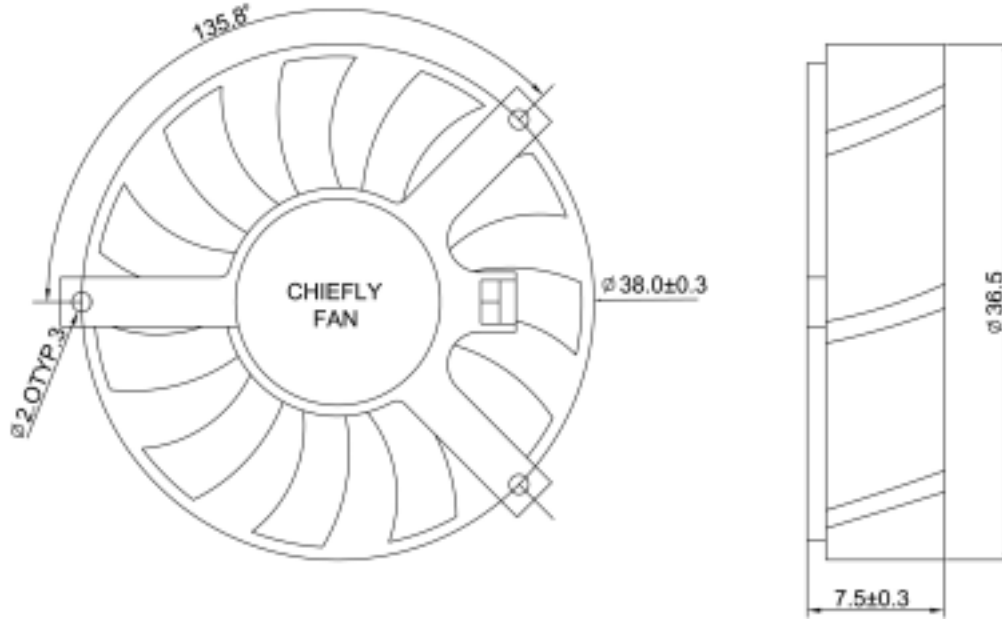
DC MODULE FAN

CCD-4007/3 SERIES

FEATURES

SIZE:	40x40x07 mm
BEARING TYPE:	BALL , SLEEVE & ONE BALL & ONE SLEEVE BEARING
IMPELLER:	PLASTIC WITH FIBER GLASS FILLED UL 94V-0
FRAME:	PLASTIC WITH FIBER GLASS FILLED UL 94V-0
WEIGHT:	7.2(g)

DIMENSIONS



Model No.	Bearing	Rated Voltage (VDC)	Air Flow (CFM)	Current (A)	Input Power (Watts)	Speed (RPM)	Noise Level (dBA)	Dimensions
								LxWxH (mm)
CCD 4007S5H/3	Sleeve	5	6.37	0.26	1.30	7000	28.80	40x40x07
CCD 4007B5H/3	2Ball	5	6.37	0.26	1.30	7000	28.80	
CCD 4007C5H/3	1B1S	5	6.37	0.26	1.30	7000	28.80	
CCD 4007S12H/3	Sleeve	12	6.37	0.16	1.92	7000	28.80	
CCD 4007B12H/3	2Ball	12	6.37	0.16	1.92	7000	28.80	
CCD 4007C12H/3	1B1S	12	6.37	0.16	1.92	7000	28.80	
CCD 4007S5M/3	Sleeve	5	5.49	0.20	1.00	6000	25.20	
CCD 4007B5M/3	2Ball	5	5.49	0.20	1.00	6000	25.20	
CCD 4007C5M/3	1B1S	5	5.49	0.20	1.00	6000	25.20	
CCD 4007S12M/3	Sleeve	12	5.49	0.12	1.44	6000	25.20	
CCD 4007B12M/3	2Ball	12	5.49	0.12	1.44	6000	25.20	
CCD 4007C12M/3	1B1S	12	5.49	0.12	1.44	6000	25.20	
CCD 4007S5L/3	Sleeve	5	4.56	0.14	0.70	5000	20.70	
CCD 4007B5L/3	2Ball	5	4.56	0.14	0.70	5000	20.70	
CCD 4007C5L/3	1B1S	5	4.56	0.14	0.70	5000	20.70	
CCD 4007S12L/3	Sleeve	12	4.56	0.08	0.96	5000	20.70	
CCD 4007B12L/3	2Ball	12	4.56	0.08	0.96	5000	20.70	
CCD 4007C12L/3	1B1S	12	4.56	0.08	0.96	5000	20.70	