

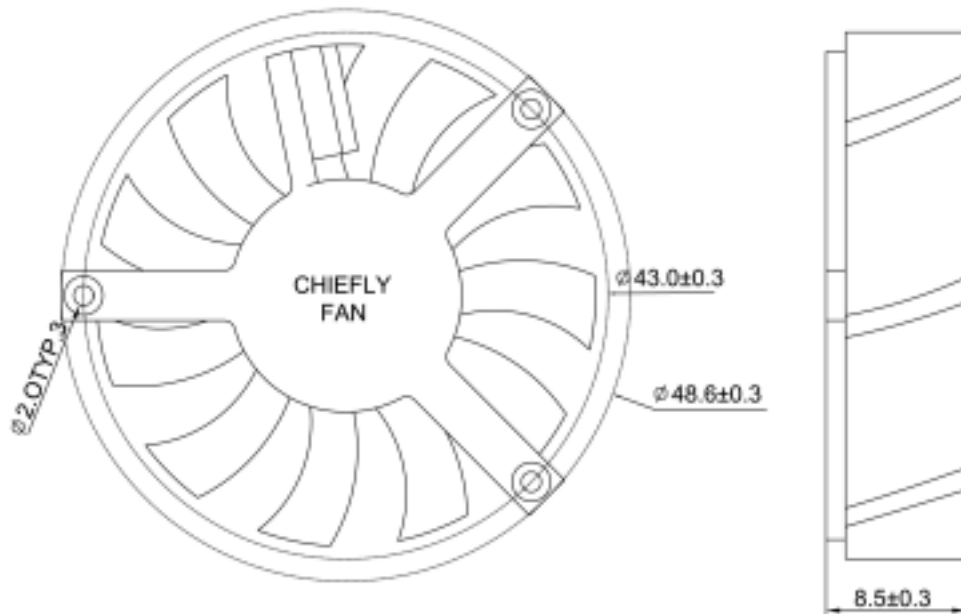
# DC MODULE FAN

## CCD-4010/1 SERIES

### FEATURES

SIZE:	40x40x10 mm
BEARING TYPE:	BALL , SLEEVE & ONE BALL & ONE SLEEVE BEARING
IMPELLER:	PLASTIC WITH FIBER GLASS FILLED UL 94V-0
FRAME:	PLASTIC WITH FIBER GLASS FILLED UL 94V-0
WEIGHT:	9(g)

### DIMENSIONS



Model No.	Bearing	Rated Voltage (VDC)	Air Flow (CFM)	Current (A)	Input Power (Watts)	Speed (RPM)	Noise Level (dBA)	Dimensions
								LxWxH (mm)
CCD 4010S12H/1	Sleeve	12	5.41	0.18	2.16	6000	30.40	40x40x10
CCD 4010B12H/1	2Ball	12	5.41	0.18	2.16	6000	30.40	
CCD 4010C12H/1	1B1S	12	5.41	0.18	2.16	6000	30.40	
CCD 4010S12M/1	Sleeve	12	4.49	0.16	1.92	5000	25.70	
CCD 4010B12M/1	2Ball	12	4.49	0.16	1.92	5000	25.70	
CCD 4010C12M/1	1B1S	12	4.49	0.16	1.92	5000	25.70	
CCD 4010S12L/1	Sleeve	12	3.58	0.14	1.68	4000	21.90	
CCD 4010B12L/1	2Ball	12	3.58	0.14	1.68	4000	21.90	
CCD 4010C12L/1	1B1S	12	3.58	0.14	1.68	4000	21.90	

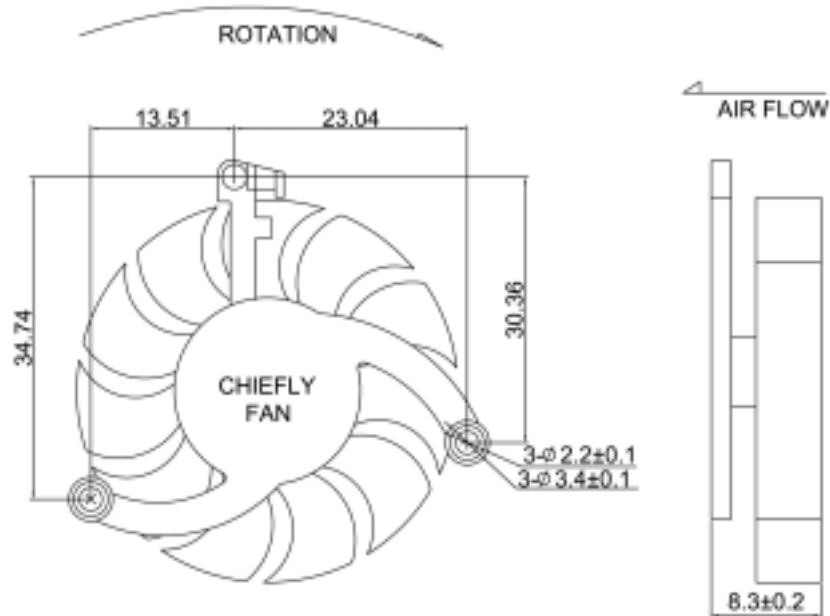
# DC MODULE FAN

## CCD-4010/2 SERIES

### FEATURES

SIZE:	40x40x10 mm
BEARING TYPE:	BALL , SLEEVE & ONE BALL & ONE SLEEVE BEARING
IMPELLER:	PLASTIC WITH FIBER GLASS FILLED UL 94V-0
FRAME:	PLASTIC WITH FIBER GLASS FILLED UL 94V-0
WEIGHT:	9(g)

### DIMENSIONS



Model No.	Bearing	Rated Voltage (VDC)	Air Flow (CFM)	Current (A)	Input Power (Watts)	Speed (RPM)	Noise Level (dBA)	Dimensions
								LxWxH (mm)
CCD 4010S12H/2	Sleeve	12	5.41	0.18	2.16	6000	30.40	40x40x10
CCD 4010B12H/2	2Ball	12	5.41	0.18	2.16	6000	30.40	
CCD 4010C12H/2	1B1S	12	5.41	0.18	2.16	6000	30.40	
CCD 4010S12M/2	Sleeve	12	4.49	0.16	1.92	5000	25.70	
CCD 4010B12M/2	2Ball	12	4.49	0.16	1.92	5000	25.70	
CCD 4010C12M/2	1B1S	12	4.49	0.16	1.92	5000	25.70	
CCD 4010S12L/2	Sleeve	12	3.58	0.14	1.68	4000	21.90	
CCD 4010B12L/2	2Ball	12	3.58	0.14	1.68	4000	21.90	
CCD 4010C12L/2	1B1S	12	3.58	0.14	1.68	4000	21.90	

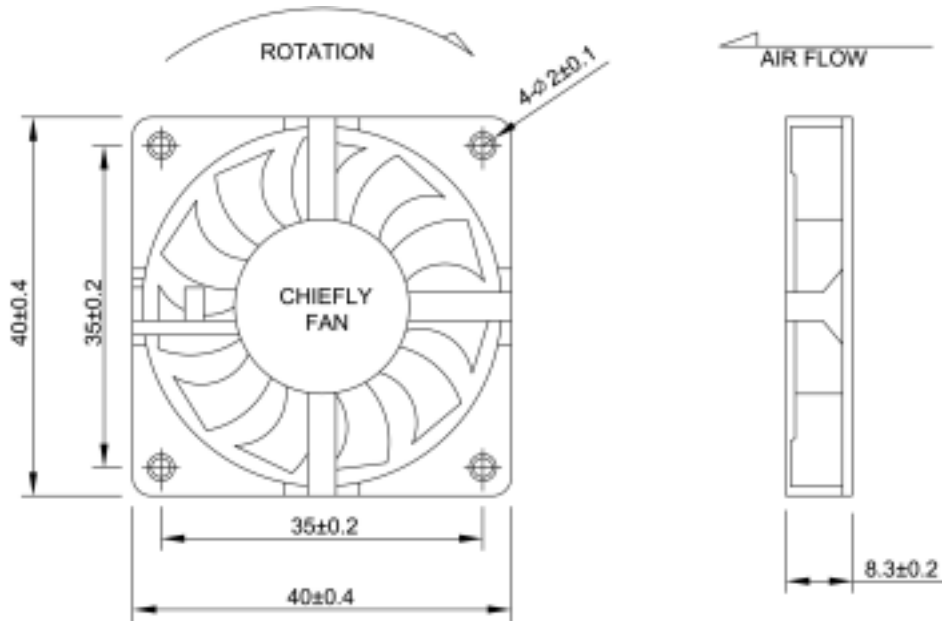
# DC MODULE FAN

## CCD-4010/3 SERIES

### FEATURES

SIZE:	40x40x10 mm
BEARING TYPE:	BALL , SLEEVE & ONE BALL & ONE SLEEVE BEARING
IMPELLER:	PLASTIC WITH FIBER GLASS FILLED UL 94V-0
FRAME:	PLASTIC WITH FIBER GLASS FILLED UL 94V-0
WEIGHT:	9(g)

### DIMENSIONS



Model No.	Bearing	Rated Voltage ( VDC )	Air Flow ( CFM )	Current ( A )	Input Power ( Watts )	Speed ( RPM )	Noise Level ( dBA )	Dimensions
								LxWxH ( mm )
CCD 4010S12H/3	Sleeve	12	5.41	0.18	2.16	6000	30.40	40x40x10
CCD 4010B12H/3	2Ball	12	5.41	0.18	2.16	6000	30.40	
CCD 4010C12H/3	1B1S	12	5.41	0.18	2.16	6000	30.40	
CCD 4010S12M/3	Sleeve	12	4.49	0.16	1.92	5000	25.70	
CCD 4010B12M/3	2Ball	12	4.49	0.16	1.92	5000	25.70	
CCD 4010C12M/3	1B1S	12	4.49	0.16	1.92	5000	25.70	
CCD 4010S12L/3	Sleeve	12	3.58	0.14	1.68	4000	21.90	
CCD 4010B12L/3	2Ball	12	3.58	0.14	1.68	4000	21.90	
CCD 4010C12L/3	1B1S	12	3.58	0.14	1.68	4000	21.90	

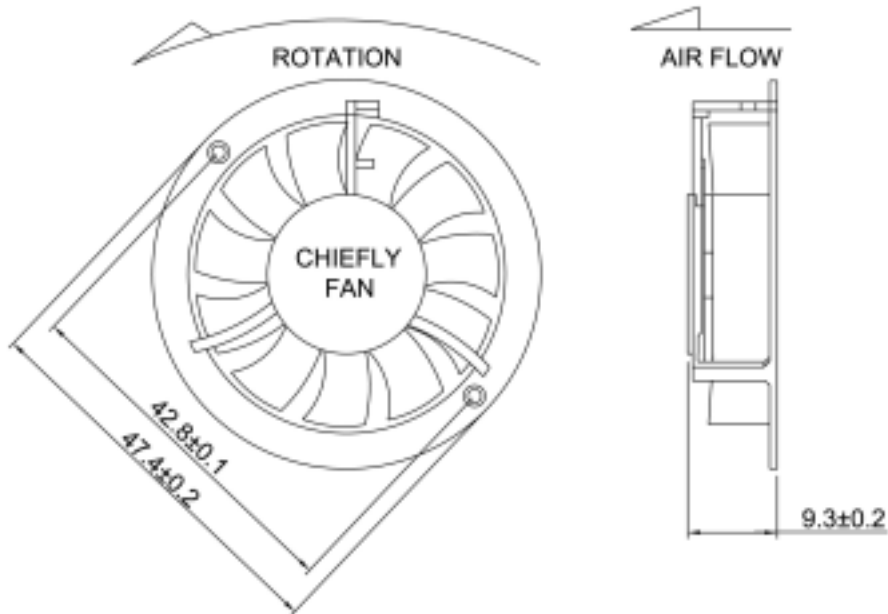
# DC MODULE FAN

## CCD-4010/4 SERIES

### FEATURES

SIZE:	40x40x10 mm
BEARING TYPE:	BALL , SLEEVE & ONE BALL & ONE SLEEVE BEARING
IMPELLER:	PLASTIC WITH FIBER GLASS FILLED UL 94V-0
FRAME:	PLASTIC WITH FIBER GLASS FILLED UL 94V-0
WEIGHT:	9(g)

### DIMENSIONS



Model No.	Bearing	Rated Voltage (VDC)	Air Flow (CFM)	Current (A)	Input Power (Watts)	Speed (RPM)	Noise Level (dBA)	Dimensions
								LxWxH (mm)
CCD 4010S12H/4	Sleeve	12	5.41	0.18	2.16	6000	30.40	40x40x10
CCD 4010B12H/4	2Ball	12	5.41	0.18	2.16	6000	30.40	
CCD 4010C12H/4	1B1S	12	5.41	0.18	2.16	6000	30.40	
CCD 4010S12M/4	Sleeve	12	4.49	0.16	1.92	5000	25.70	
CCD 4010B12M/4	2Ball	12	4.49	0.16	1.92	5000	25.70	
CCD 4010C12M/4	1B1S	12	4.49	0.16	1.92	5000	25.70	
CCD 4010S12L/4	Sleeve	12	3.58	0.14	1.68	4000	21.90	
CCD 4010B12L/4	2Ball	12	3.58	0.14	1.68	4000	21.90	
CCD 4010C12L/4	1B1S	12	3.58	0.14	1.68	4000	21.90	