

# DC BRUSHLESS BLOWER

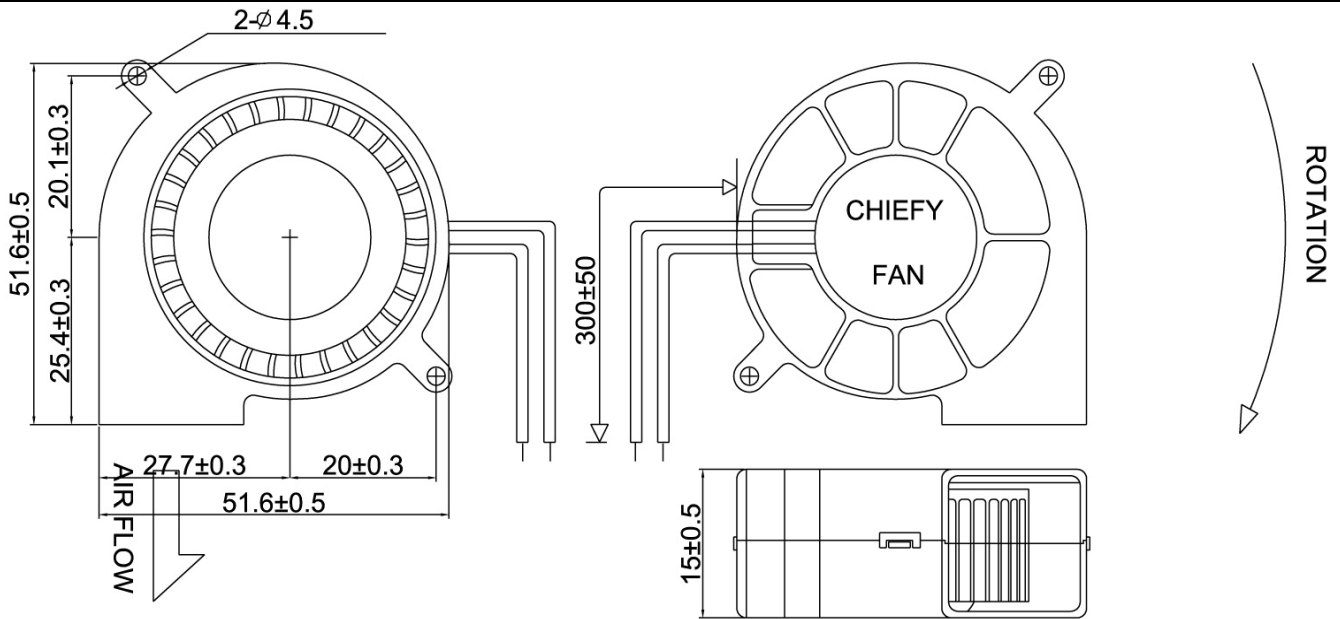


## CCB-5015 SERIES

### FEATURES

SIZE:	50x50x15 mm
BEARING TYPE:	BALL BEARING
IMPELLER:	PLASTIC WITH FIBER GLASS FILLED UL 94V-0
FRAME:	PLASTIC WITH FIBER GLASS FILLED UL 94V-0
WEIGHT:	40(g)

### DIMENSIONS



Model No.	Bearing	Rated Voltage (VDC)	Air Flow (CFM)	Current (A)	Input Power (Watts)	Speed (RPM)	Noise Level (dBA)	Dimensions
								LxWxH (mm)
CCB 5015S12H	Sleeve	12	4.00	0.13	1.60	5000	39.80	50x50x15
CCB 5015S12M	Sleeve	12	3.00	0.08	1.00	4000	35.20	
CCB 5015S12L	Sleeve	12	2.30	0.04	0.50	3000	26.60	