

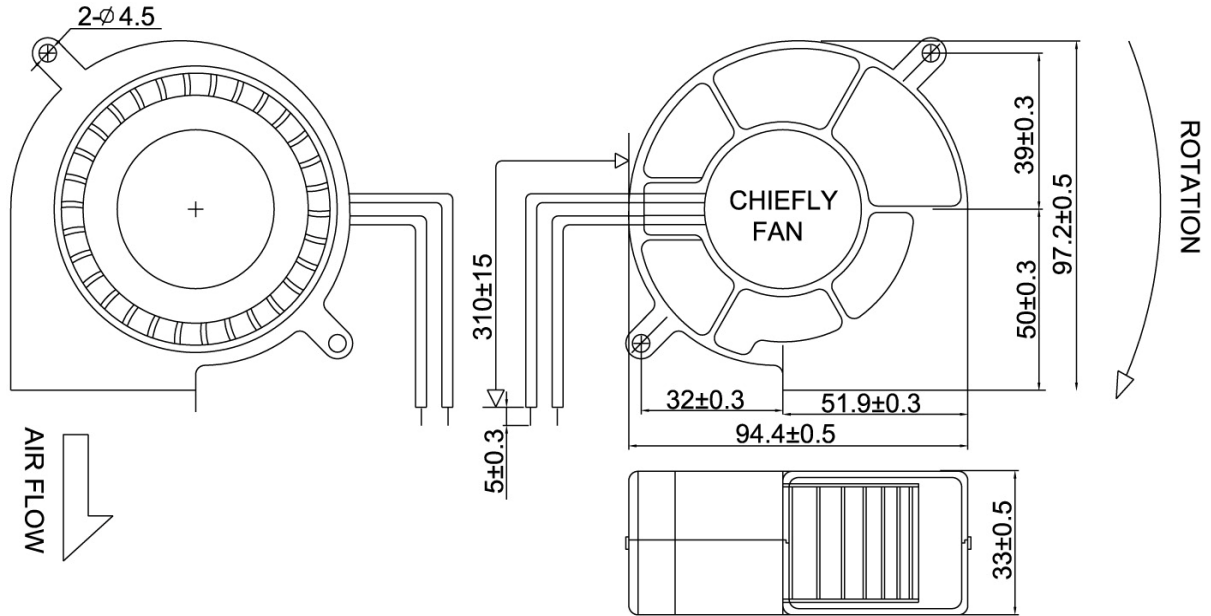
DC BRUSHLESS BLOWER

CCB9733 SERIES

FEATURES

SIZE:	97x94x33 mm
BEARING TYPE:	BALL BEARING
IMPELLER:	PLASTIC WITH FIBER GLASS FILLED UL 94V-0
FRAME:	PLASTIC WITH FIBER GLASS FILLED UL 94V-0
WEIGHT:	185(g)

DIMENSIONS



Model No.	Bearing	Rated Voltage (VAC)	Air Flow (CFM)	Current (A)	Input Power (Watts)	Speed (RPM)	Noise Level (dBA)	Dimensions
								LxWxH (mm)
CCB 9733B12H	Ball	12	30.50	0.72	8.70	3600	55.80	97x94x33
CCB 9733B24H	Ball	24	30.50	0.39	9.40	3600	55.80	
CCB 9733B48H	Ball	48	30.50	0.23	11.00	3600	55.80	
CCB 9733B12M	Ball	12	26.60	0.56	6.70	3200	53.10	
CCB 9733B24M	Ball	24	26.60	0.25	6.00	3200	53.10	
CCB 9733B48M	Ball	48	26.60	0.17	8.20	3200	53.10	
CCB 9733B12L	Ball	12	22.40	0.30	3.60	2700	50.00	
CCB 9733B24L	Ball	24	22.40	0.16	3.80	2700	50.00	
CCB 9733B48L	Ball	48	22.40	0.12	5.80	2700	50.00	