

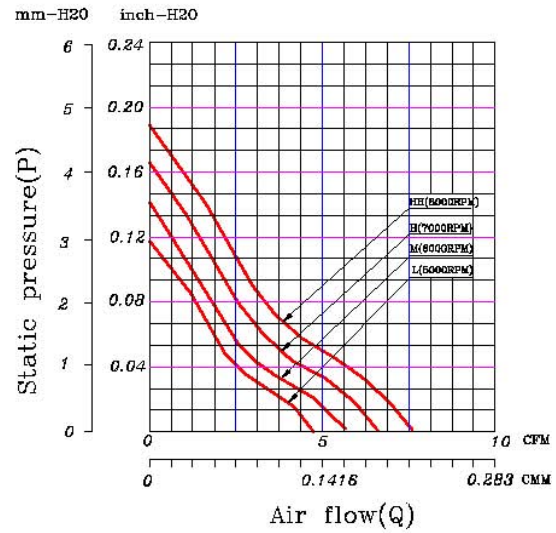
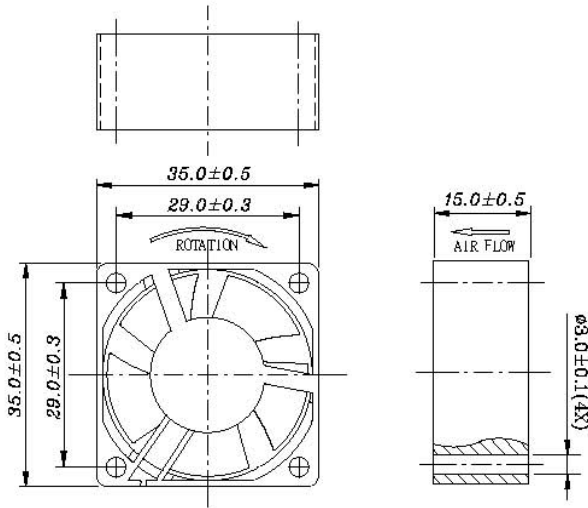
DC BRUSHLESS FAN

CC-3010 SERIES

FEATURES

SIZE:	35x35x15 mm
BEARING TYPE:	SLEEVE & CeraDyna BEARING
IMPELLER:	PLASTIC WITH FIBER GLASS FILLED UL 94V-0
FRAME:	PLASTIC WITH FIBER GLASS FILLED UL 94V-0
WEIGHT:	14(g)

PERFORMANCE & DIMENSIONS



Model No.	Bearing	Rated Voltage (VDC)	Air Flow (CFM)	Current (A)	Input Power (Watts)	Speed (RPM)	Noise Level (dBA)	Dimensions	
								LxWxH (mm)	
CC 3515A5HH	CeraDyna	5	7.60	0.28	1.40	8000	30.00	35x35x15	
CC 3515A12HH	CeraDyna	12	8.55	0.16	1.92	9000	34.00		
CC 3515A5HH	CeraDyna	5	6.65	0.22	1.10	7000	26.00		
CC 3515A12H	CeraDyna	12	7.60	0.14	1.68	8000	30.00		
CC 3515A5M	CeraDyna	5	5.70	0.17	0.85	6000	23.00		
CC 3515A12M	CeraDyna	12	6.65	0.10	1.20	7000	26.00		
CC 3515A5L	CeraDyna	5	4.75	0.12	0.60	5000	20.00		
CC 3515A12L	CeraDyna	12	5.70	0.09	1.08	6000	23.00		