

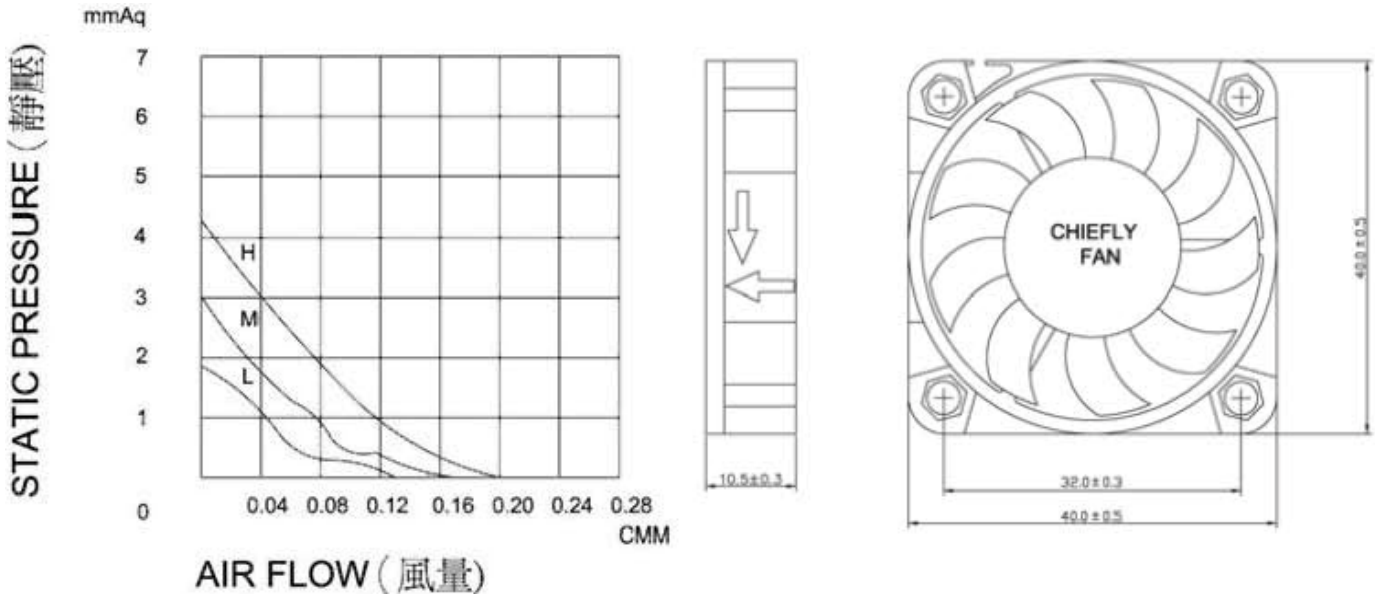
DC BRUSHLESS FAN

CC-4010 SERIES

FEATURES

SIZE:	40x40x10 mm
BEARING TYPE:	BALL , SLEEVE & ONE BALL & ONE SLEEVE BEARING
IMPELLER:	PLASTIC WITH FIBER GLASS FILLED UL 94V-0
FRAME:	PLASTIC WITH FIBER GLASS FILLED UL 94V-0
WEIGHT:	15(g)

PERFORMANCE & DIMENSIONS



Model No.	Bearing	Rated Voltage (VDC)	Air Flow (CFM)	Current (A)	Input Power (Watts)	Speed (RPM)	Noise Level (dBA)	Dimensions	
								LxWxH (mm)	
CC 4010S5H	Sleeve	5	7.20	0.18	0.90	6500	33.00	40x40x10	
CC 4010B5H	2Ball	5	7.20	0.18	0.90	6500	33.50		
CC 4010C5H	1B1S	5	7.20	0.18	0.90	6500	33.50		
CC 4010S12H	Sleeve	12	7.20	0.09	1.08	6500	33.00		
CC 4010B12H	2Ball	12	7.20	0.09	1.08	6500	33.50		
CC 4010C12H	1B1S	12	7.20	0.09	1.08	6500	33.50		
CC 4010S24H	Sleeve	24	7.13	0.10	2.40	6000	32.50		
CC 4010B24H	2Ball	24	7.13	0.10	2.40	6000	32.00		
CC 4010C24H	1B1S	24	7.13	0.10	2.40	6000	32.00		
CC 4010S5M	Sleeve	5	6.11	0.15	0.75	5500	27.50		
CC 4010B5M	2Ball	5	6.11	0.15	0.75	5500	28.00		
CC 4010C5M	1B1S	5	6.11	0.15	0.75	5500	28.00		
CC 4010S12M	Sleeve	12	6.11	0.08	0.96	5500	27.50		
CC 4010B12M	2Ball	12	6.11	0.08	0.96	5500	28.00		
CC 4010C12M	1B1S	12	6.11	0.08	0.96	5500	28.00		
CC 4010S24M	Sleeve	24	5.93	0.09	2.16	5000	26.50		
CC 4010B24M	2Ball	24	5.93	0.09	2.16	5000	27.00		
CC 4010C24M	1B1S	24	5.93	0.09	2.16	5000	27.00		
CC 4010S5L	Sleeve	5	4.98	0.13	0.65	4500	23.50		
CC 4010B5L	2Ball	5	4.98	0.13	0.65	4500	24.00		
CC 4010C5L	1B1S	5	4.98	0.13	0.65	4500	24.00		
CC 4010S12L	Sleeve	12	4.98	0.07	0.84	4500	23.50		
CC 4010B12L	2Ball	12	4.98	0.07	0.84	4500	24.00		
CC 4010C12L	1B1S	12	4.98	0.07	0.84	4500	24.00		
CC 4010S24L	Sleeve	24	4.73	0.08	1.92	4000	22.00		
CC 4010B24L	2Ball	24	4.73	0.08	1.92	4000	22.50		
CC 4010C24L	1B1S	24	4.73	0.08	1.92	4000	22.50		