

DC BRUSHLESS FAN

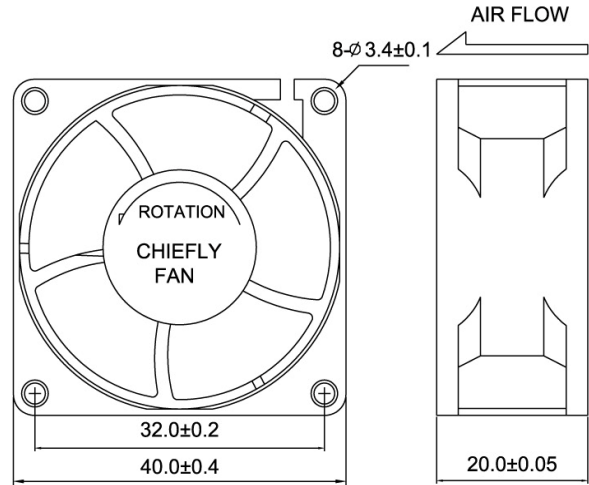
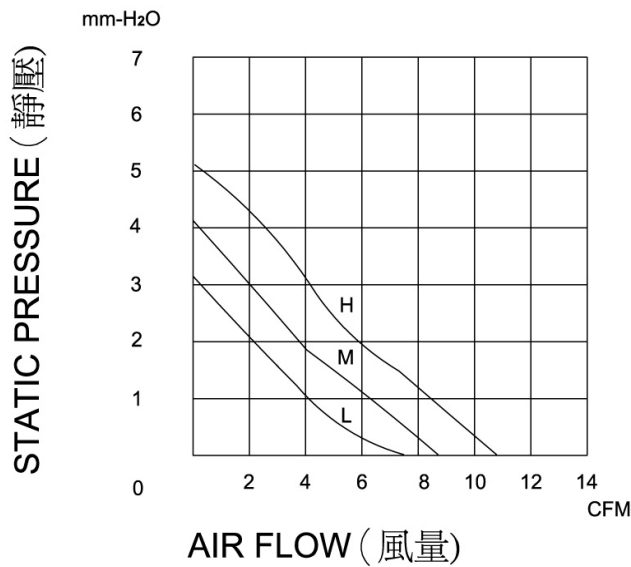


CC4020 SERIES

FEATURES

SIZE:	40×40×20 mm
BEARING TYPE:	BALL , SLEEVE & ONE BALL & ONE SLEEVE BEARING
IMPELLER:	PLASTIC WITH FIBER GLASS FILLED UL 94V-0
FRAME:	PLASTIC WITH FIBER GLASS FILLED UL 94V-0
WEIGHT:	23(g)

PERFORMANCE & DIMENSIONS



Model No.	Bearing	Rated Voltage (VAC)	Air Flow (CFM)	Current (A)	Input Power (Watts)	Speed (RPM)	Noise Level (dBA)	Dimensions	
								LxWxH (mm)	
CC 4020S5H	Sleeve	5	10.10	0.30	1.50	8000	32.00	40×40×20	
CC 4020B5H	2Ball	5	10.10	0.30	1.50	8000	32.00		
CC 4020C5H	1B1S	5	10.10	0.30	1.50	8000	32.00		
CC 4020S12H	Sleeve	12	10.10	0.11	1.32	8000	32.00		
CC 4020B12H	2Ball	12	10.10	0.11	1.32	8000	32.00		
CC 4020C12H	1B1S	12	10.10	0.11	1.32	8000	32.00		
CC 4020S24H	Sleeve	24	10.10	0.09	2.16	8000	32.00		
CC 4020B24H	2Ball	24	10.10	0.09	2.16	8000	32.00		
CC 4020C24H	1B1S	24	10.10	0.09	2.16	8000	32.00		
CC 4020S5M	Sleeve	5	8.60	0.16	0.80	7000	28.50		
CC 4020B5M	2Ball	5	8.60	0.16	0.80	7000	28.50		
CC 4020C5M	1B1S	5	8.60	0.16	0.80	7000	28.50		
CC 4020S12M	Sleeve	12	8.60	0.08	0.96	7000	28.50		
CC 4020B12M	2Ball	12	8.60	0.08	0.96	7000	28.50		
CC 4020C12M	1B1S	12	8.60	0.08	0.96	7000	28.50		
CC 4020S24M	Sleeve	24	8.60	0.07	1.68	7000	28.50		
CC 4020B24M	2Ball	24	8.60	0.07	1.68	7000	28.50		
CC 4020C24M	1B1S	24	8.60	0.07	1.68	7000	28.50		
CC 4020S5L	Sleeve	5	7.50	0.08	0.40	6000	25.00		
CC 4020B5L	2Ball	5	7.50	0.08	0.40	6000	25.00		
CC 4020C5L	1B1S	5	7.50	0.08	0.40	6000	25.00		
CC 4020S12L	Sleeve	12	7.50	0.07	0.84	6000	25.00		
CC 4020B12L	2Ball	12	7.50	0.07	0.84	6000	25.00		
CC 4020C12L	1B1S	12	7.50	0.07	0.84	6000	25.00		
CC 4020S24L	Sleeve	24	7.50	0.06	1.44	6000	25.00		
CC 4020B24L	2Ball	24	7.50	0.06	1.44	6000	25.00		
CC 4020C24L	1B1S	24	7.50	0.06	1.44	6000	25.00		