

DC BRUSHLESS FAN

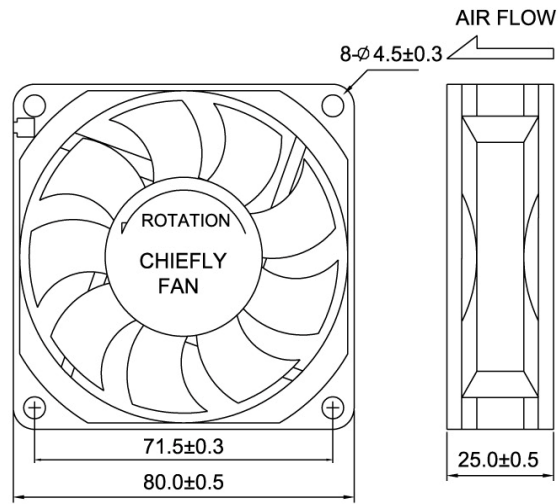
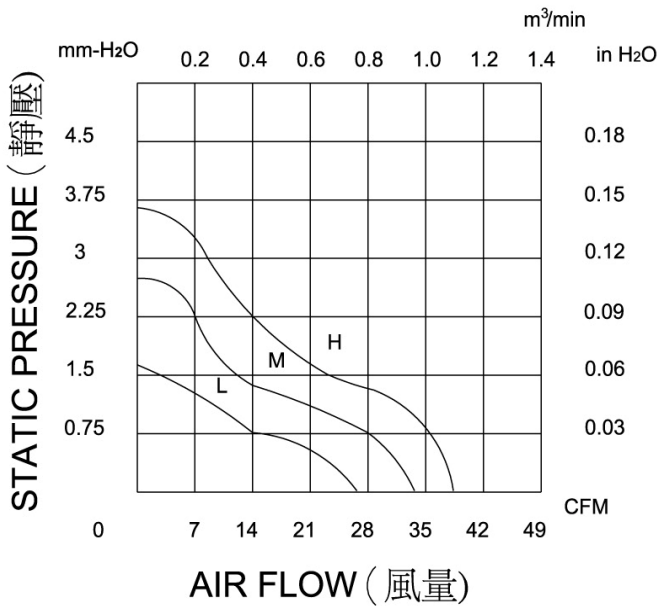


CC8025 SERIES

FEATURES

SIZE:	80×80×25 mm
BEARING TYPE:	BALL , SLEEVE & ONE BALL & ONE SLEEVE BEARING
IMPELLER:	PLASTIC WITH FIBER GLASS FILLED UL 94V-0
FRAME:	PLASTIC WITH FIBER GLASS FILLED UL 94V-0
WEIGHT:	76(g)

PERFORMANCE & DIMENSIONS



Model No.	Bearing	Rated Voltage (VAC)	Air Flow (CFM)	Current (A)	Input Power (Watts)	Speed (RPM)	Noise Level (dBA)	Dimensions	
								L×W×H (mm)	
CC 8025S12H	Sleeve	12	40	0.20	2.40	3200	35	80×80×25	
CC 8025B12H	2Ball	12	40	0.20	2.40	3200	35		
CC 8025C12H	1B1S	12	40	0.20	2.40	3200	35		
CC 8025S24H	Sleeve	24	40	0.13	3.12	3200	35		
CC 8025B24H	2Ball	24	40	0.13	3.12	3200	35		
CC 8025C24H	1B1S	24	40	0.13	3.12	3200	35		
CC 8025S12M	Sleeve	12	33	0.16	1.92	2600	32		
CC 8025B12M	2Ball	12	33	0.16	1.92	2600	32		
CC 8025C12M	1B1S	12	33	0.16	1.92	2600	32		
CC 8025S24M	Sleeve	24	33	0.11	2.64	2600	32		
CC 8025B24M	2Ball	24	33	0.11	2.64	2600	32		
CC 8025C24M	1B1S	24	33	0.11	2.64	2600	32		
CC 8025S12L	Sleeve	12	28	0.12	1.44	2200	25		
CC 8025B12L	2Ball	12	28	0.12	1.44	2200	25		
CC 8025C12L	1B1S	12	28	0.12	1.44	2200	25		
CC 8025S24L	Sleeve	24	28	0.09	2.16	2200	25		
CC 8025B24L	2Ball	24	28	0.09	2.16	2200	25		
CC 8025C24L	1B1S	24	28	0.09	2.16	2200	25		